

REVISION HISTORY

1

ISSUED FOR

PRELIMINARY

ALL DOCUMENTS PREPARED BY WILCOX & BARTON, INC. ARE INSTRUMENTS OF SERVICE IN RESPECT OF THE PROJECT. THEY ARE NOT INTENDED OR REPRESENTED TO BE SUITABLE FOR REUSE BY OWNER OR OTHERS. ANY REUSE WITHOUT WRITTEN VERIFICATION OR ADAPTATION BY WILCOX & BARTON, INC. FOR THE SPECIFIC PURPOSE INTENDED WILL BE AT OWNER'S SOLE RISK AND WITHOUT LIABILITY OR LEGAL EXPOSURE TO WILCOX & BARTON, INC. OWNER SHALL INDEMNIFY AND HOLD HARMLESS WILCOX & BARTON, INC. FROM ALL CLAIMS, DAMAGES, LOSSES AND EXPENSES ARISING OUT OF OR RESULTING THEREFROM.

OWNER/APPLICANT

**TWIN PINES
HOUSING TRUST**

**268 COUNTY ROAD
NEW LONDON, NH 03257**

**LONG MEADOW
COMMONS**

**268 COUNTY ROAD
NEW LONDON, NH 03257**

MBLU: 72/17 & 72/15

DRAWING TITLE

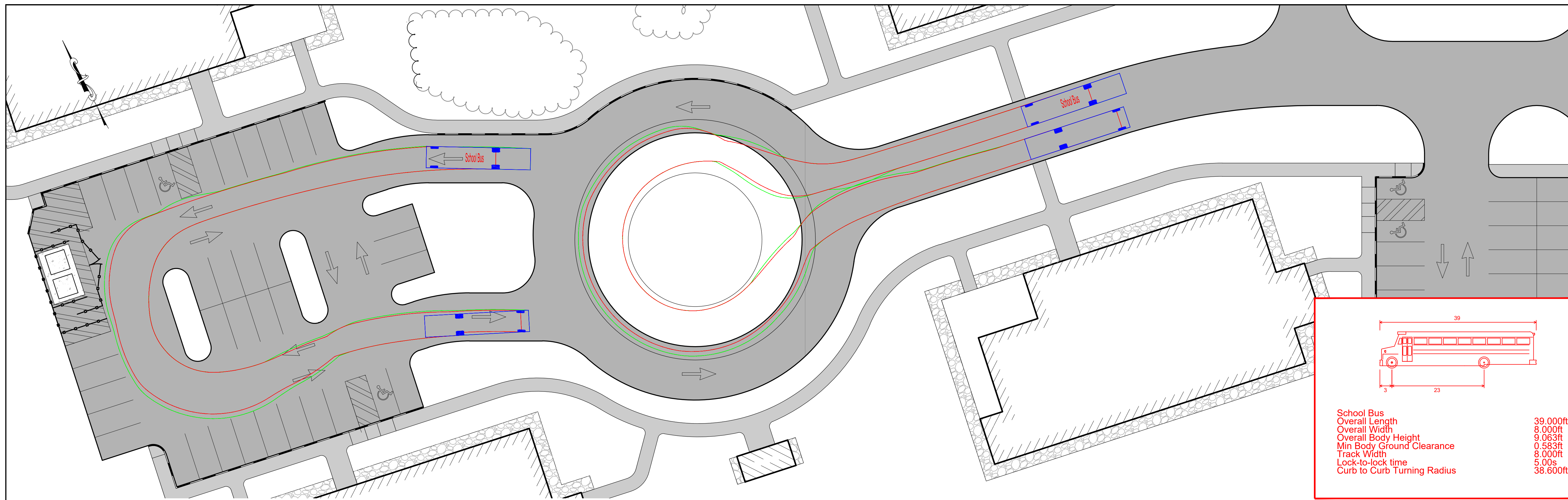
VEHICLE TURNING PLAN

SCALE	DATE		
1" = 40'	11/11/2022		
DRAFTED BY	CHECKED BY	PROJECT MGR	PROJECT NO.
CDM	ERL	ERL	TWIN0001

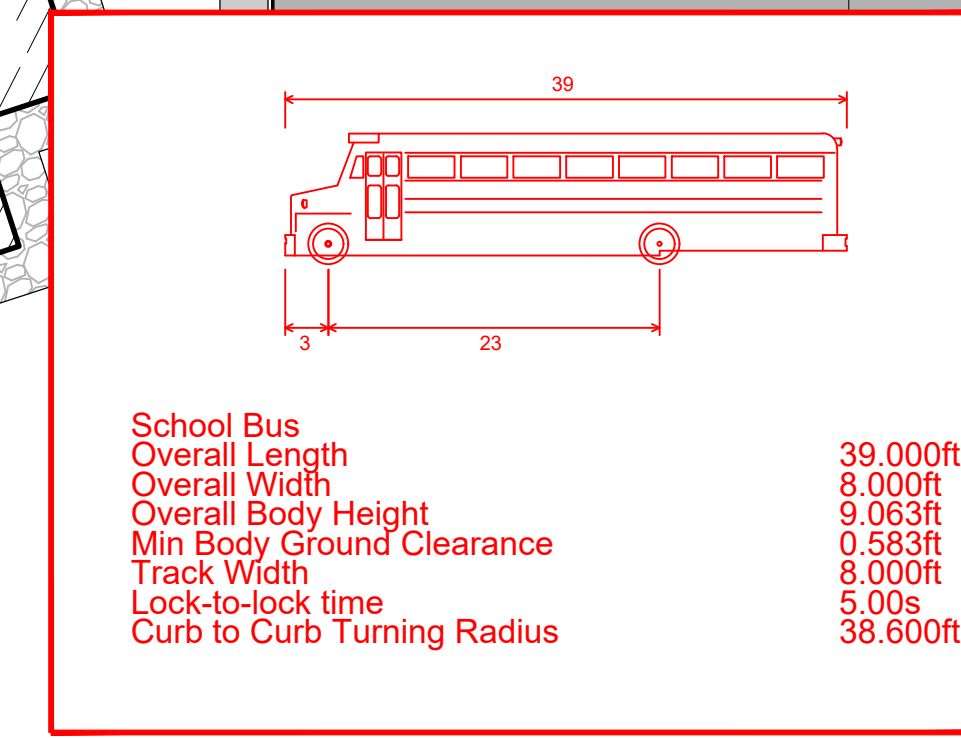
SHEET NO.

C7.1

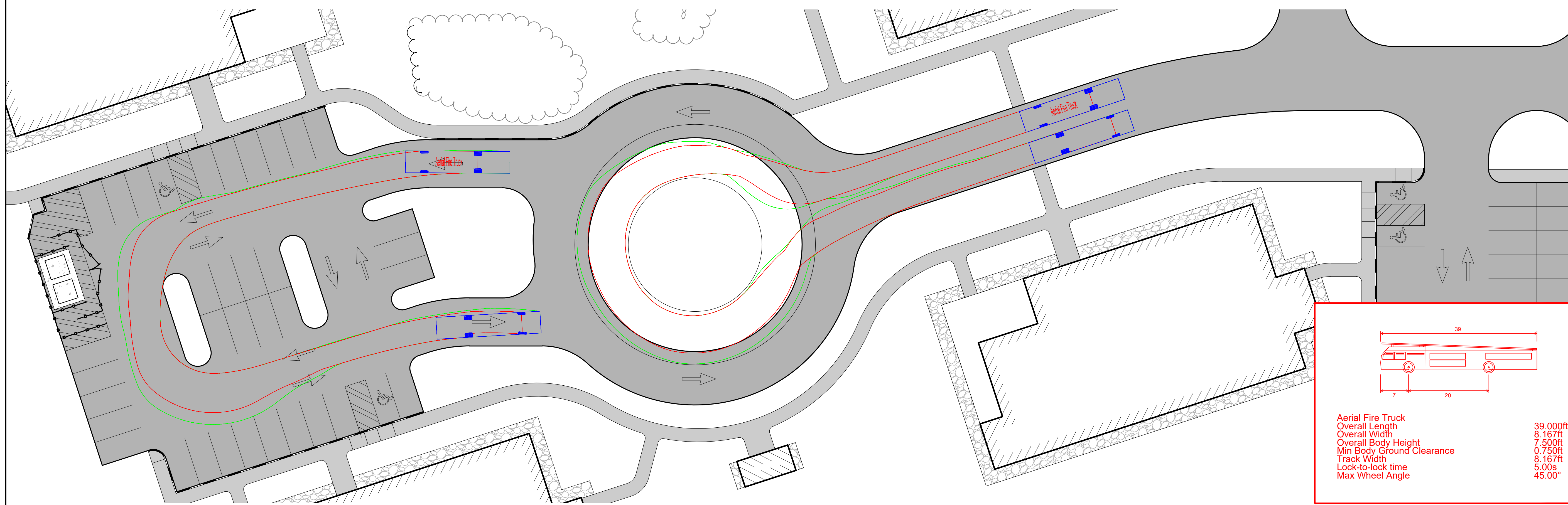
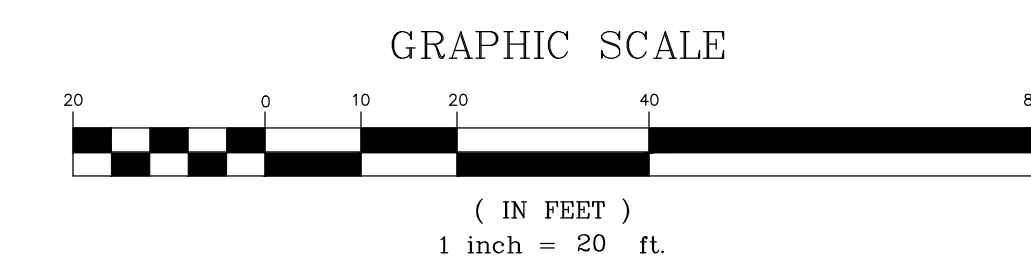
01 OF 01



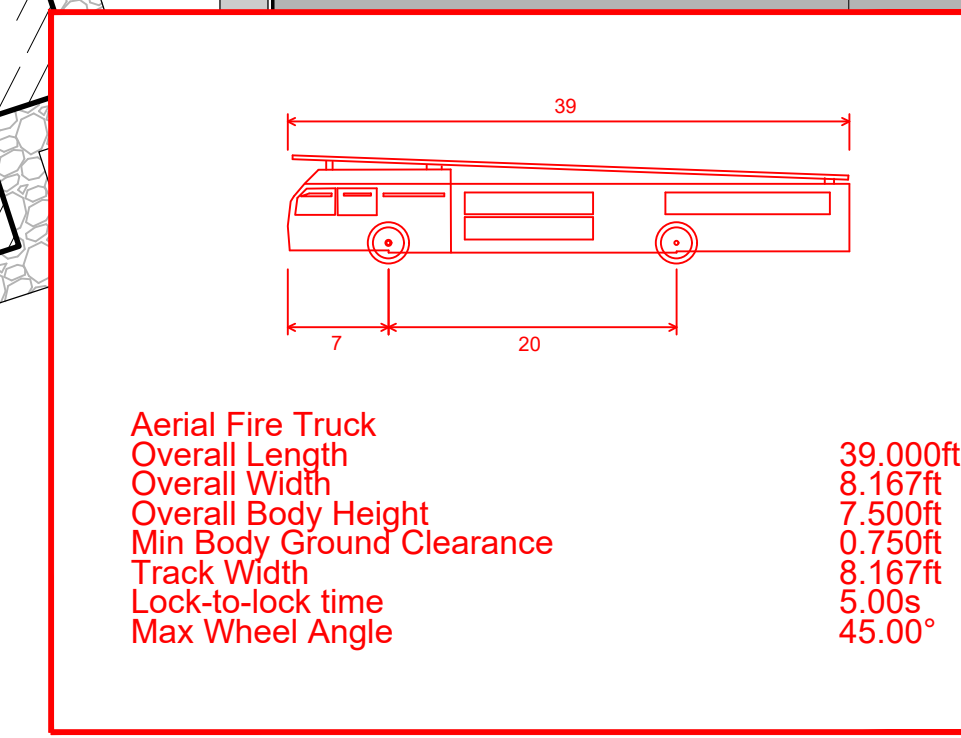
SCHOOL BUS



School Bus	39.000ft
Overall Length	8.000ft
Overall Width	9.063ft
Overall Body Height	0.583ft
Min Body Ground Clearance	8.000ft
Track Width	5.00s
Lock-to-lock time	38.600ft
Curb to Curb Turning Radius	



FIRE TRUCK



Aerial Fire Truck	39.000ft
Overall Length	9.167ft
Overall Width	7.500ft
Overall Body Height	0.750ft
Min Body Ground Clearance	8.167ft
Track Width	5.00s
Lock-to-lock time	45.00°
Max Wheel Angle	

